

Saint LU Metal & Plastic Mfr. Ltd.

"CW - A11" CURTAIN WALL

6" DEEP SYSTEM

AUGUST 4, 2015



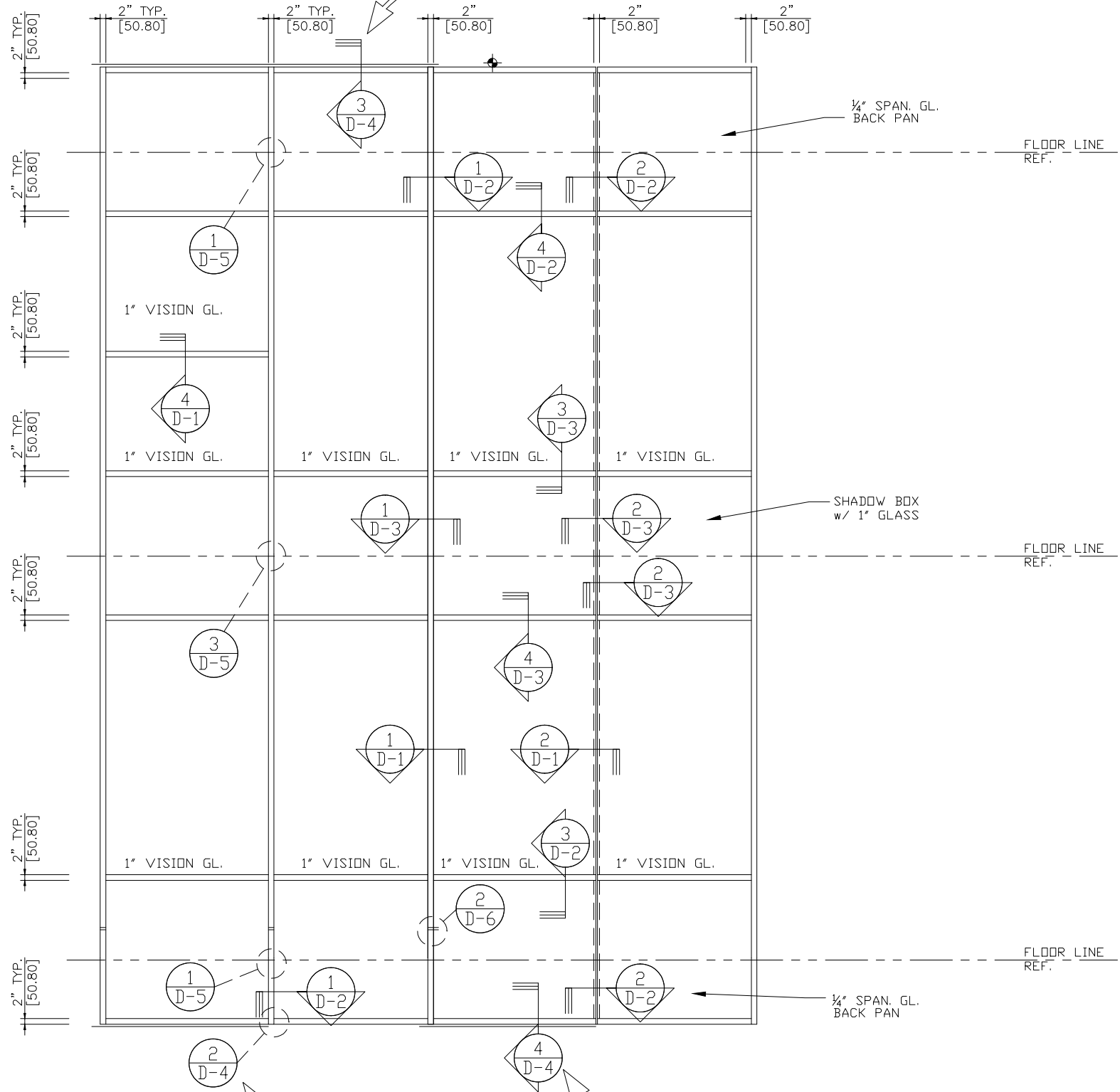
PROJECT: -
ARCHITECT:
CUSTOMER:
FABRICATOR:

SCALE
FULL
DATE
04-AUG-15
SHEET NUMBER
C-1

NO. DATE
5
4
3
2
1 -

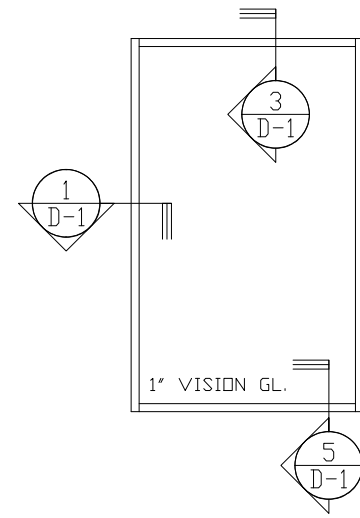
REVISION INDEX

NOTE:
TEE ANCHOR DETAILS
ARE DRAWN FOR
VISION AREA ONLY.
CAN ALSO BE USED IN
SPANDREL AREAS



A PARTIAL ELEVATION
SCALE: 1/2" = 1'-0"

NOTE:
TEE ANCHOR DETAILS
ARE DRAWN FOR
VISION AREA ONLY.
CAN ALSO BE USED IN
SPANDREL AREAS



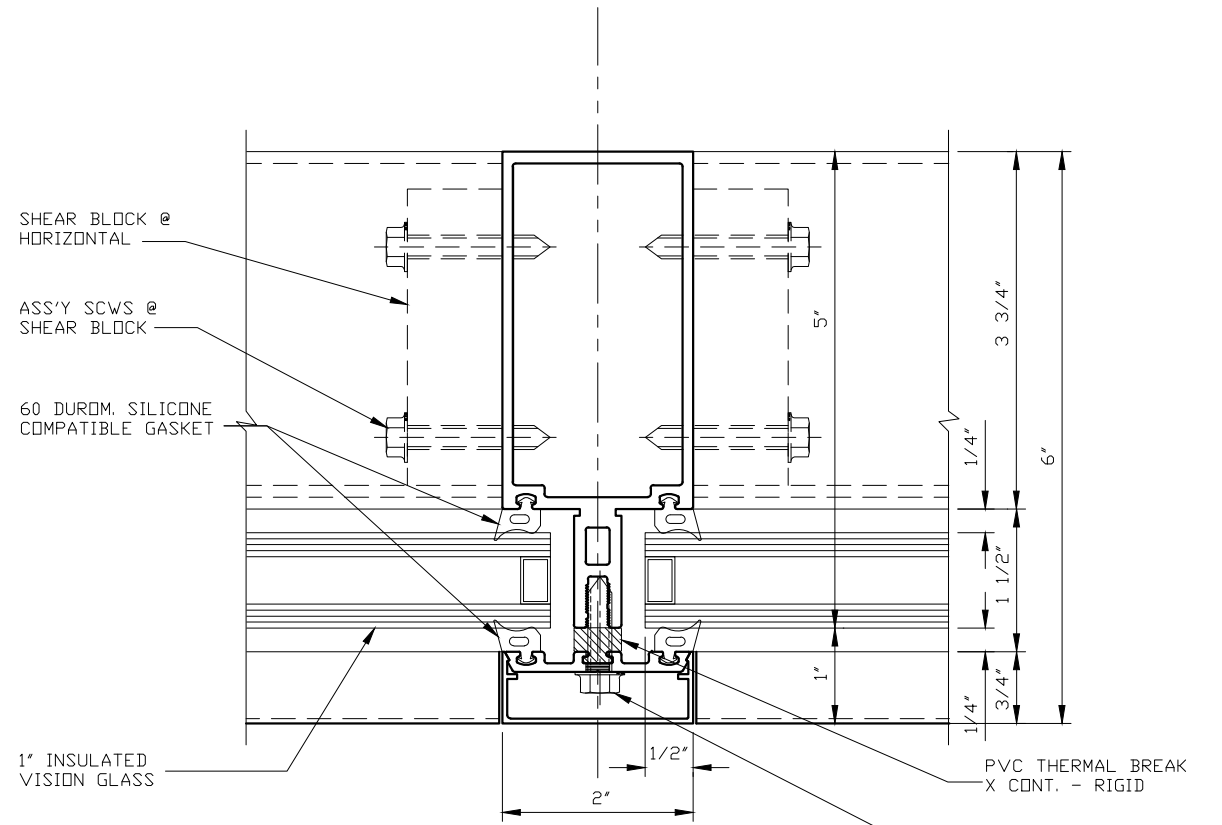
B PARTIAL ELEV. PUNCHED WDW.
SCALE: 1/2" = 1'-0"

NO.	DATE	REVISION	INDEX
5			
4			
3			
2			
1			



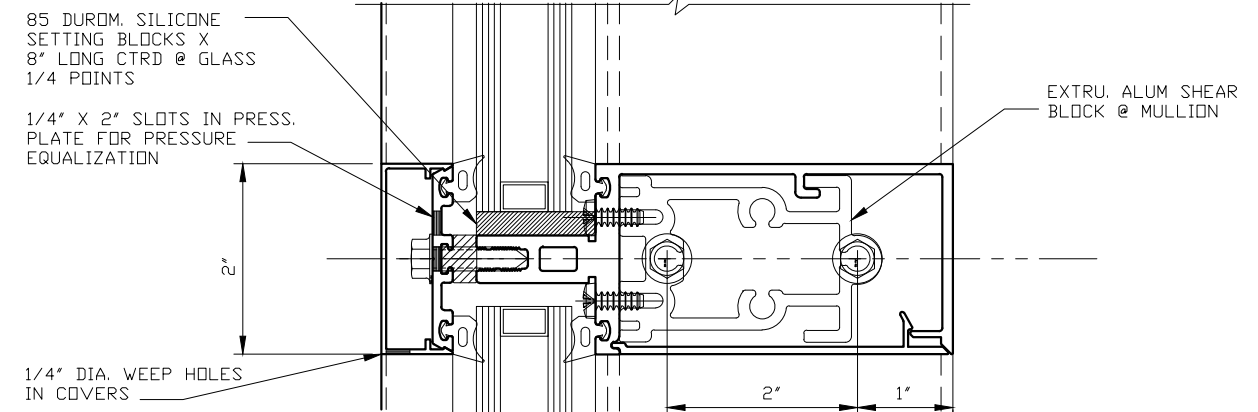
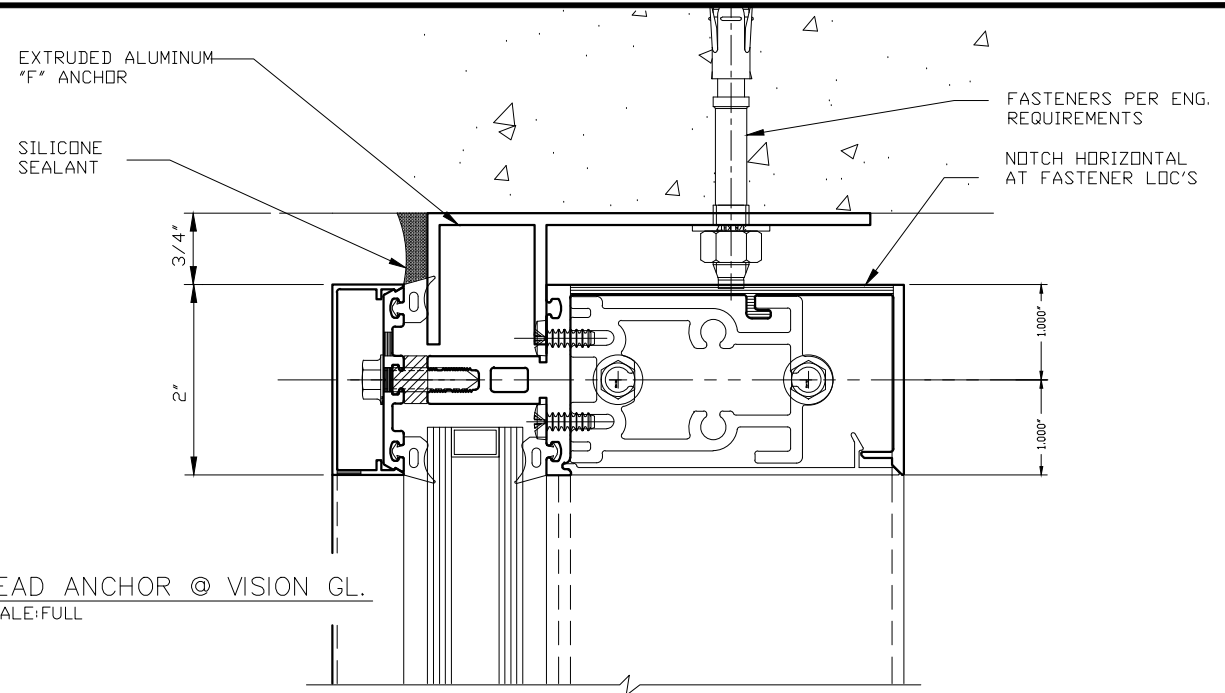
PROJECT: -
ARCHITECT:
CUSTOMER:
FABRICATOR:

SCALE 1/2" = 1'-0"
DATE 04-AUG-15
SHEET NUMBER E-1

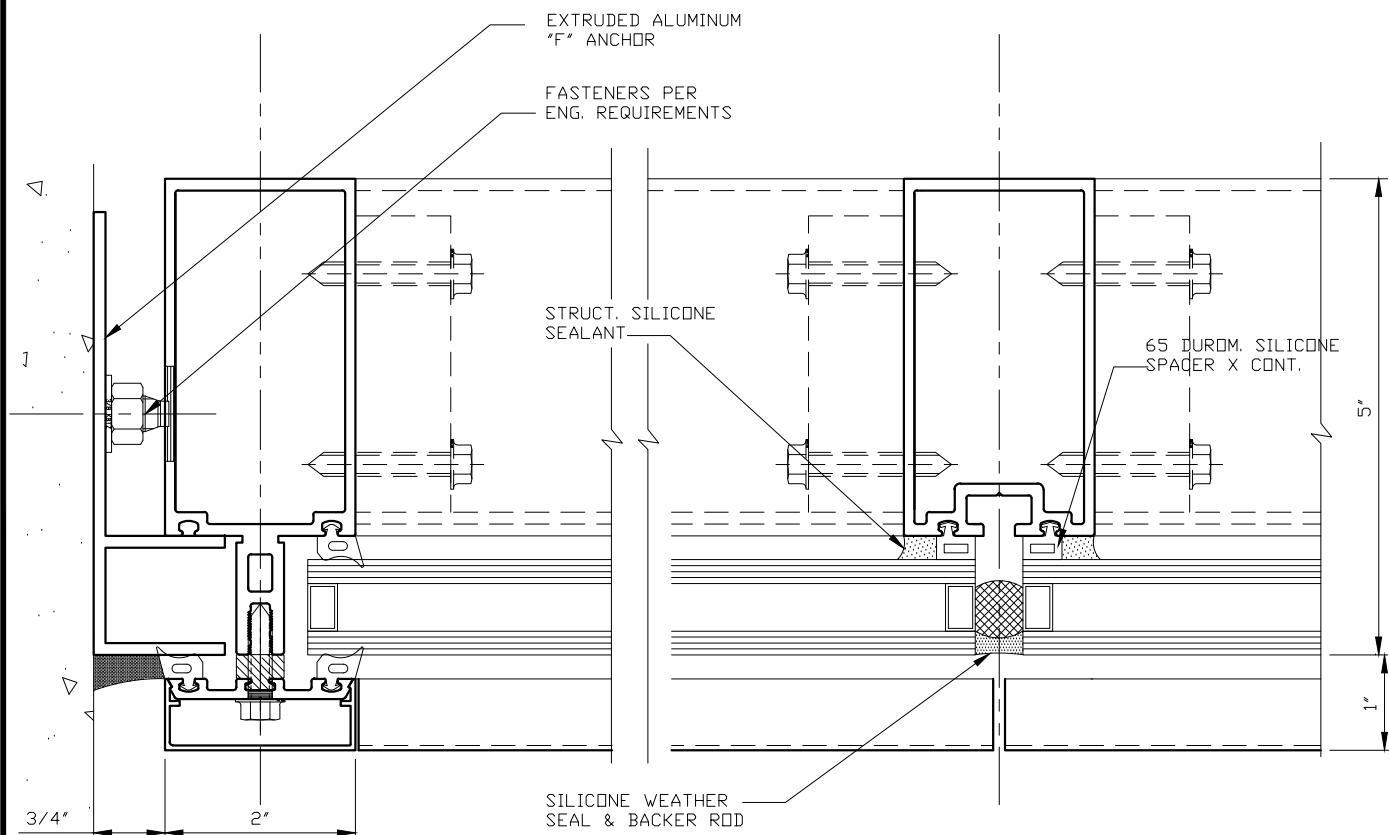


1 TYPICAL CAPTURED MULL @ VISION GL.
 SCALE:FULL

3 HEAD ANCHOR @ VISION GL.
 SCALE:FULL



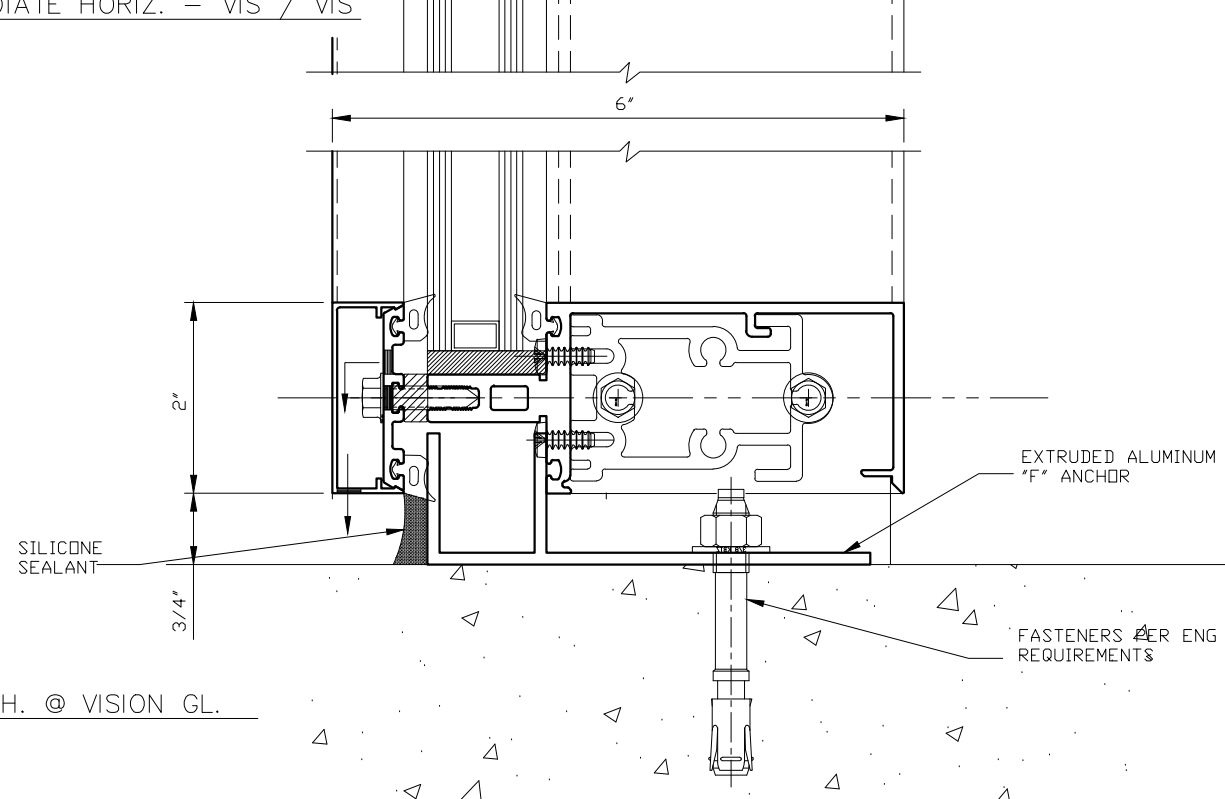
4 INTERMEDIATE HORIZ. - VIS / VIS
 SCALE:FULL



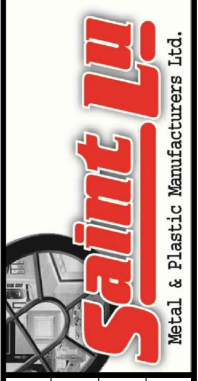
2 JAMB MULL @ VISION GL.
 SCALE:FULL

2 SSG MULL @ VISION GL.
 SCALE:FULL

5 SILL ANCH. @ VISION GL.
 SCALE:FULL

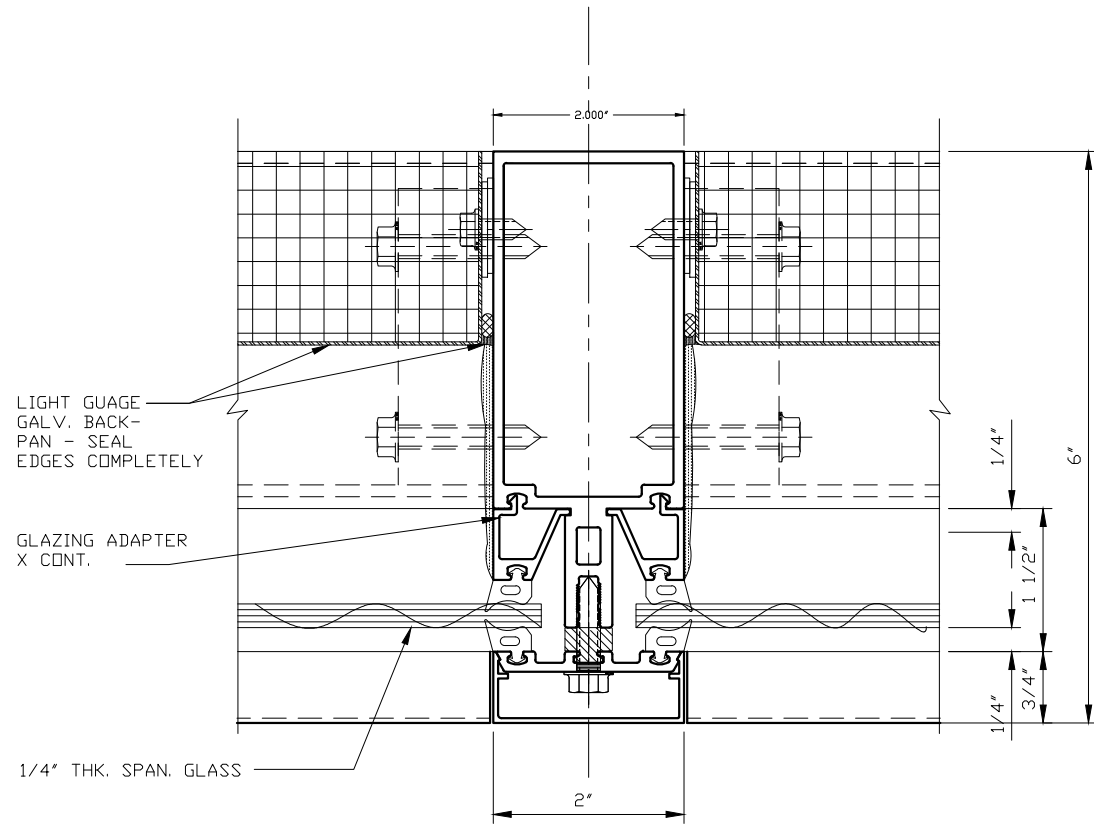


NO.	DATE	REVISION	INDEX
5			
4			
3			
2			
1			

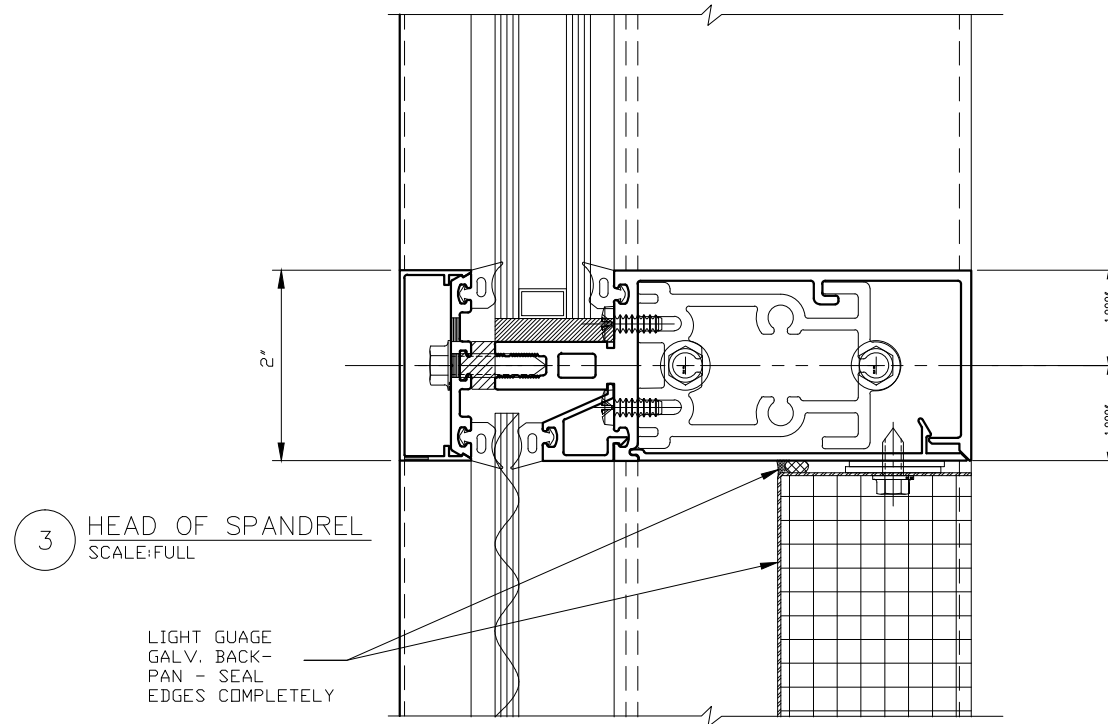


PROJECT: -
 ARCHITECT:
 CUSTOMER:
 FABRICATOR:

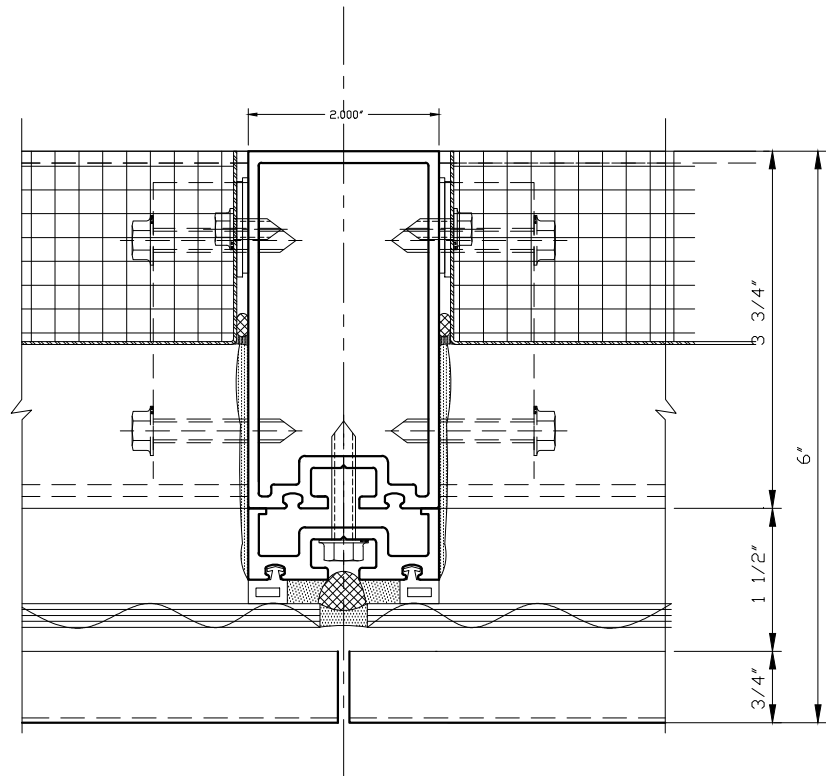
SCALE FULL
 DATE 04-AUG-15
 SHEET NUMBER D-1



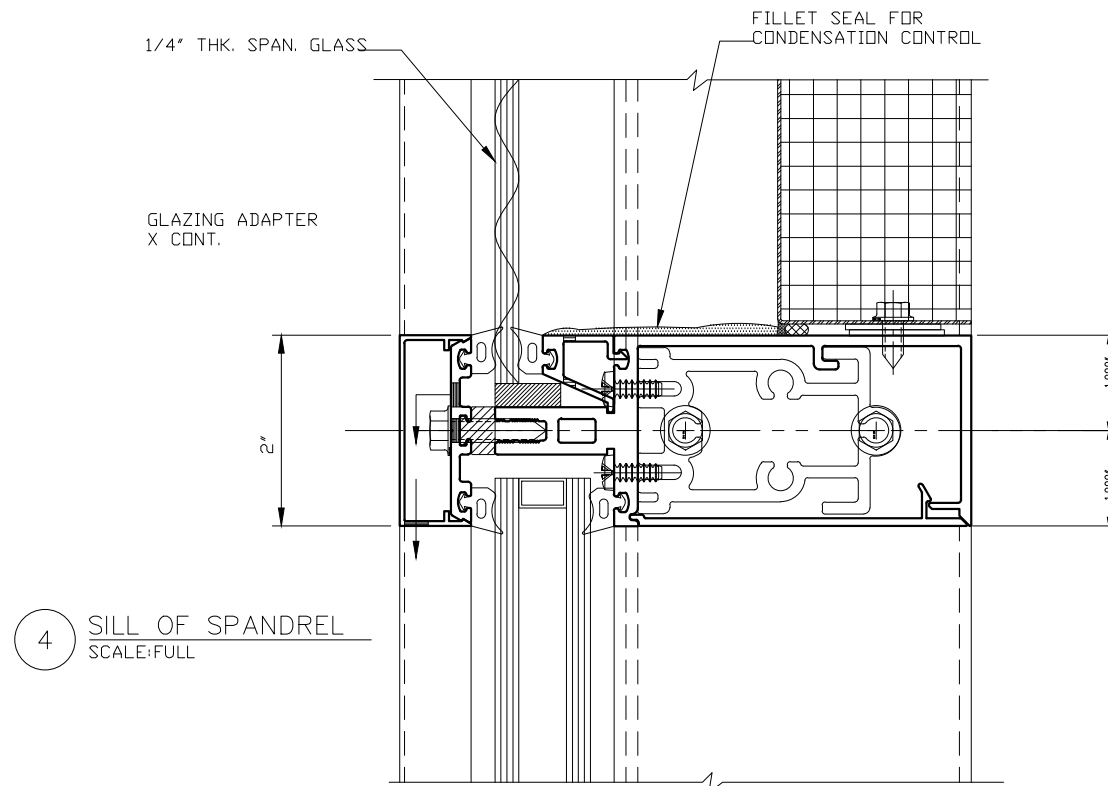
1 TYPICAL CAPTURED MULL @ SPANDREL GL.
SCALE:FULL



3 HEAD OF SPANDREL
SCALE:FULL



2 SSG MULL @ SPANDREL GL.
SCALE:FULL



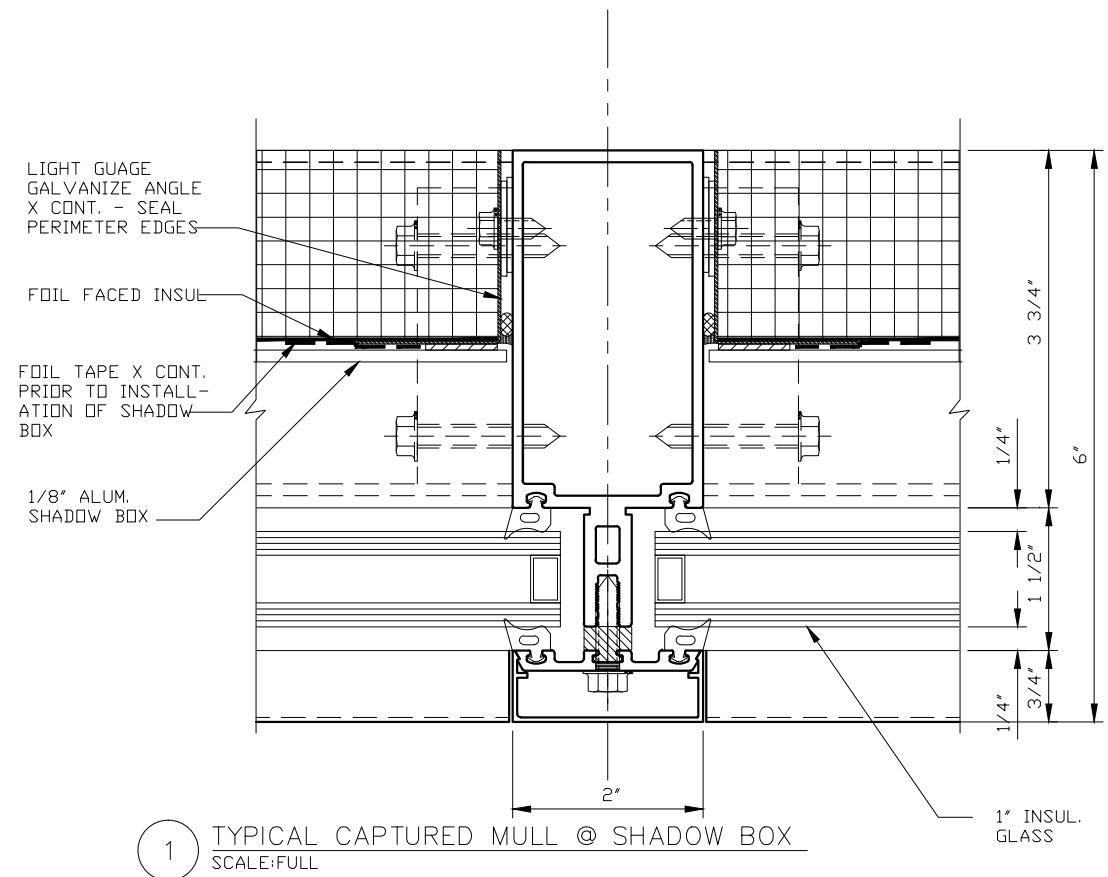
4 SILL OF SPANDREL
SCALE:FULL

NO.	DATE	REVISION	INDEX
5			
4			
3			
2			
1			

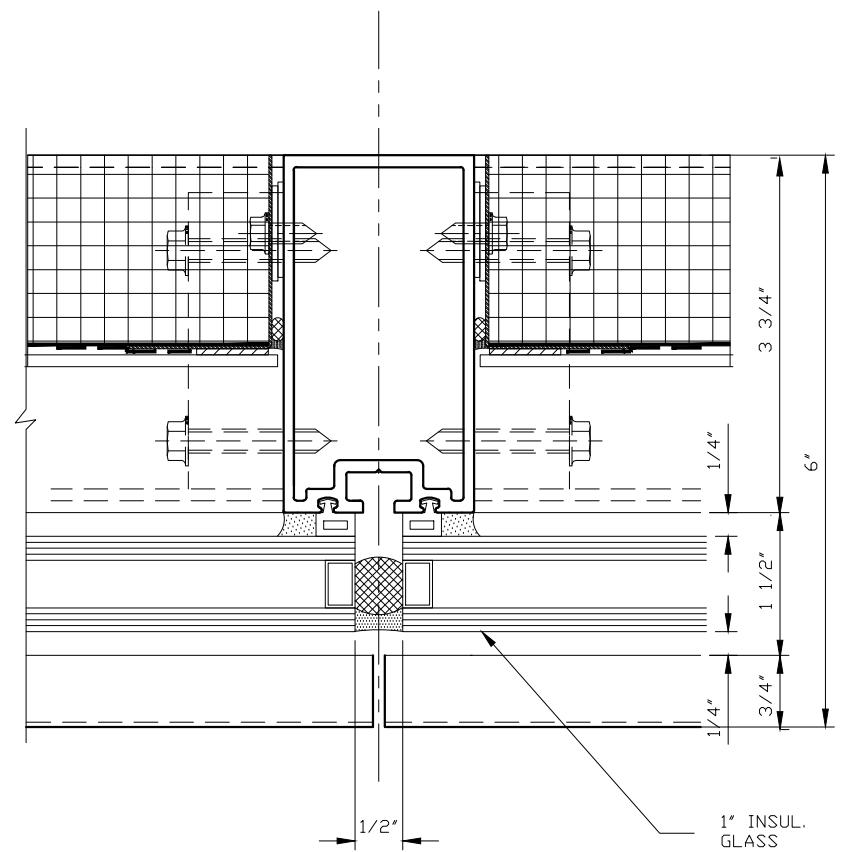


PROJECT: -
 ARCHITECT:
 CUSTOMER:
 FABRICATOR:

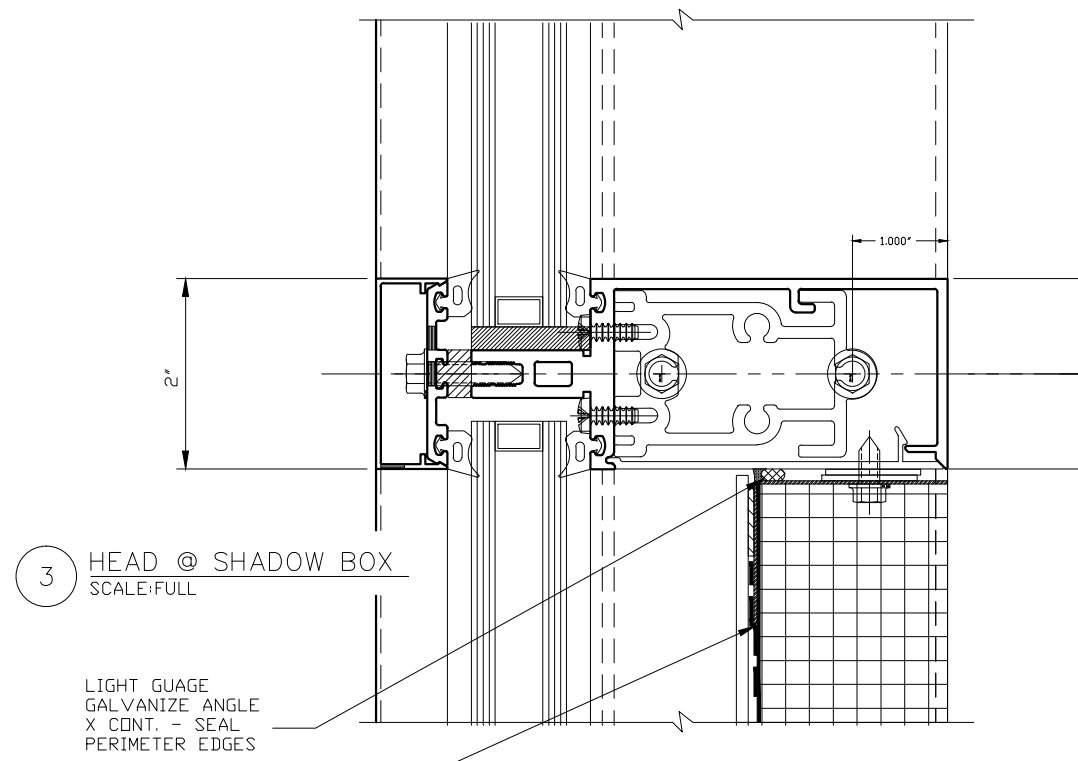
SCALE
FULL
 DATE
04-AUG-15
 SHEET NUMBER
D-2



1 TYPICAL CAPTURED MULL @ SHADOW BOX
SCALE:FULL



2 SSG MULL @ SHADOW BOX
SCALE:FULL



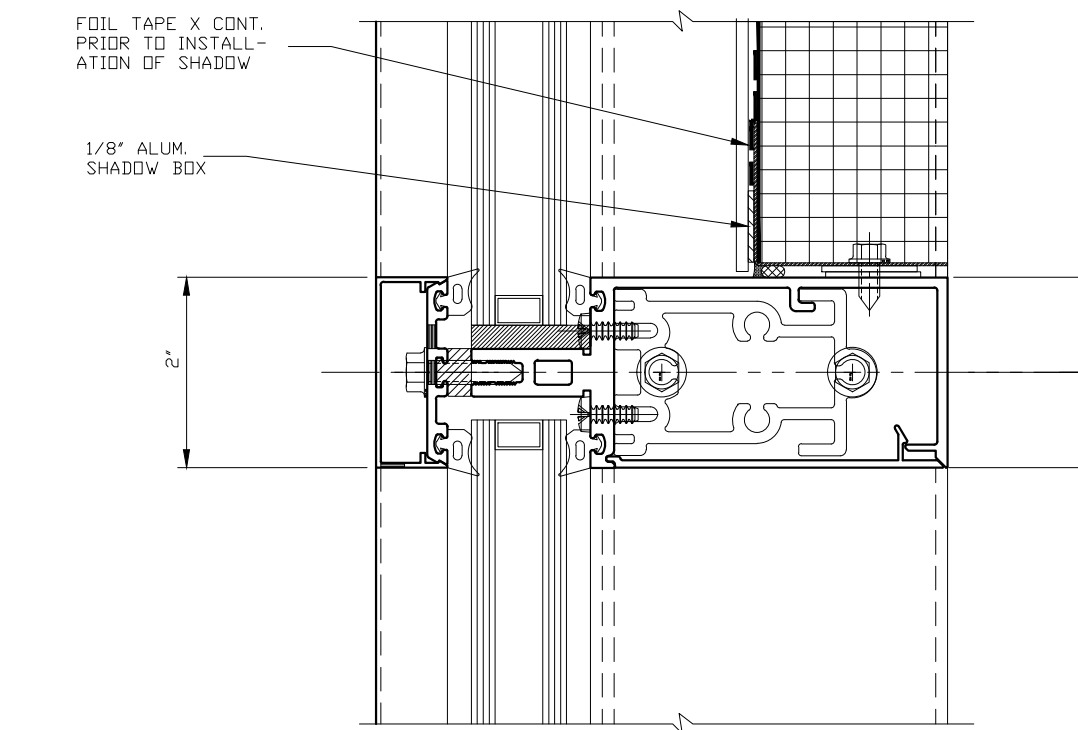
3 HEAD @ SHADOW BOX
SCALE:FULL

LIGHT GAUGE GALVANIZE ANGLE X CONT. - SEAL PERIMETER EDGES

FOIL FACED INSUL

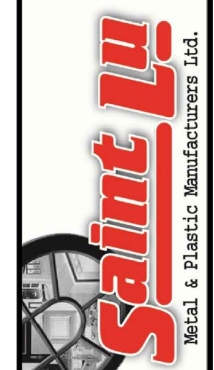
FOIL TAPE X CONT. PRIOR TO INSTALLATION OF SHADOW

1/8\"/>



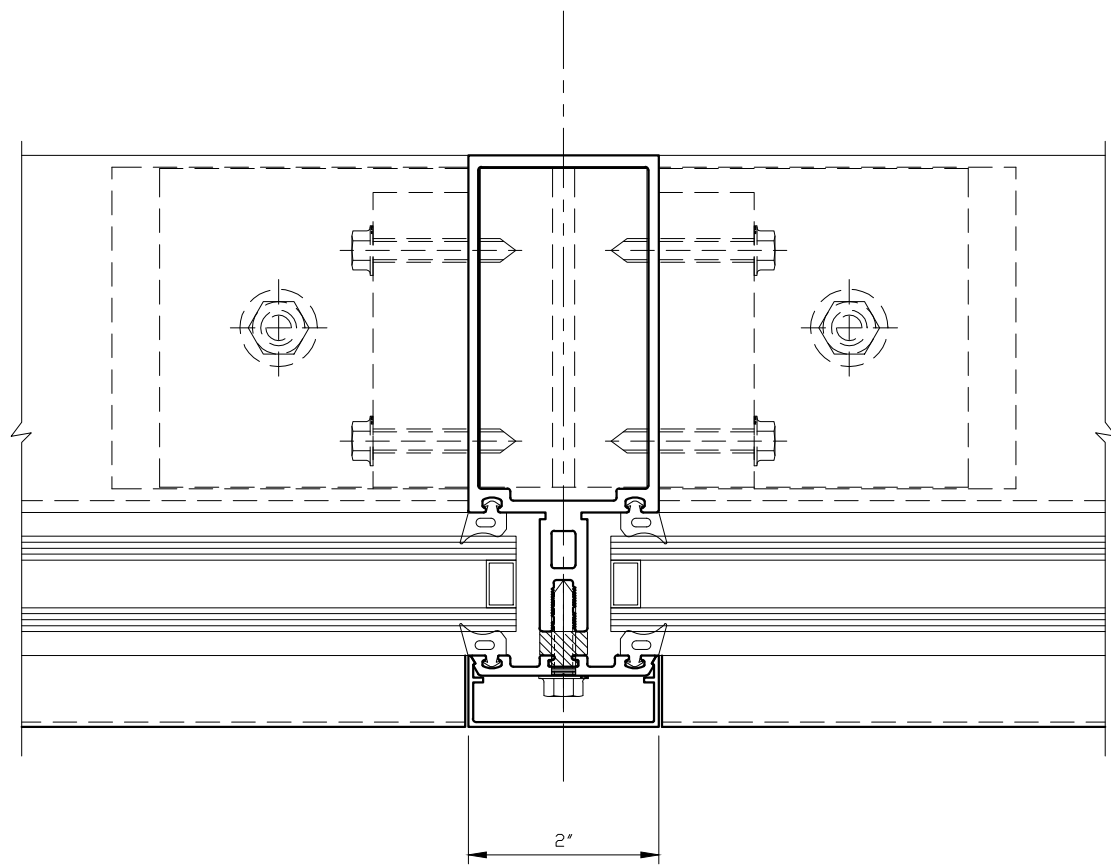
4 SILL @ SHADOW BOX
SCALE:FULL

NO.	DATE	REVISION	INDEX
5			
4			
3			
2			
1			

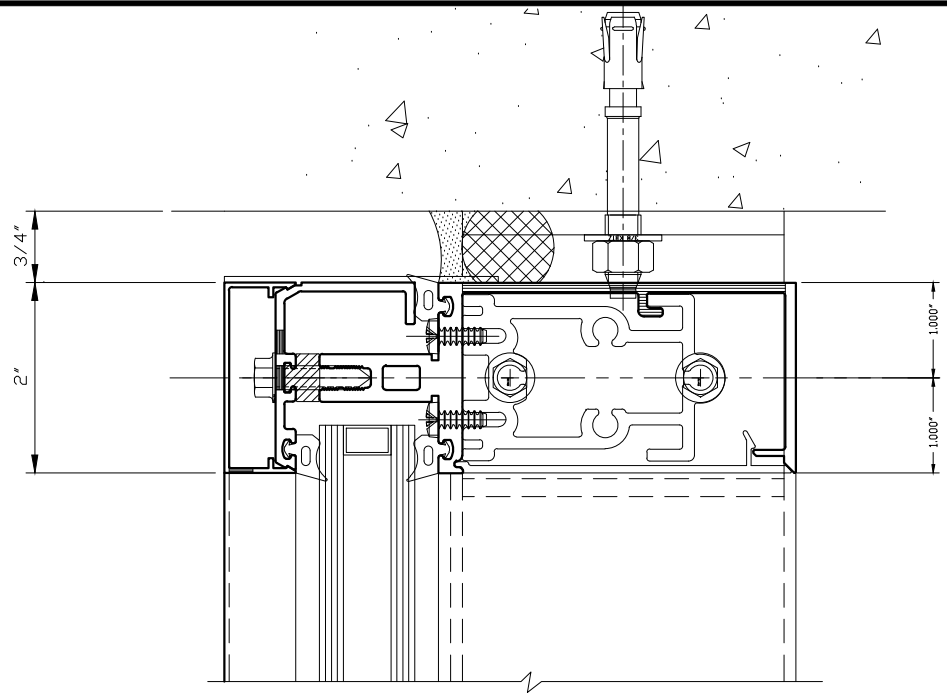


PROJECT: -
ARCHITECT:
CUSTOMER:
FABRICATOR:

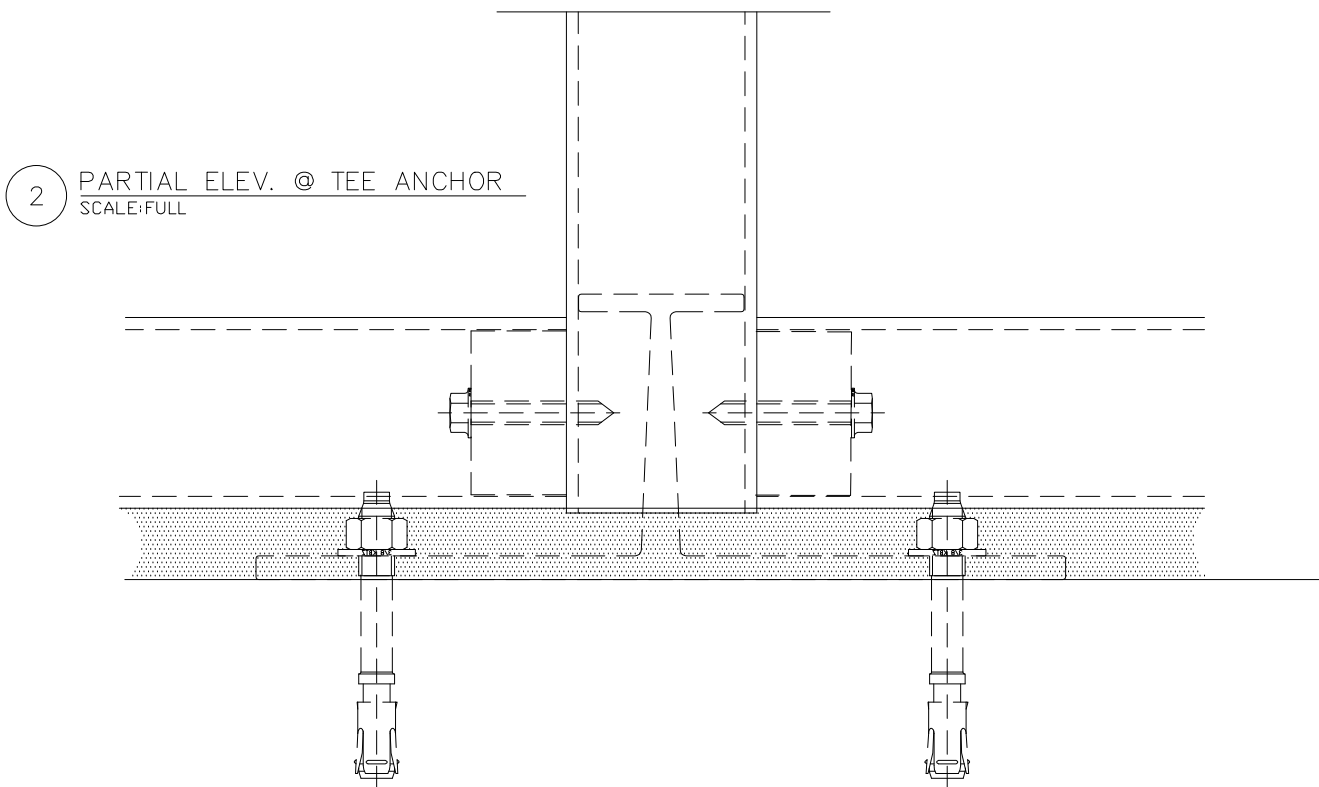
SCALE FULL
DATE 04-AUG-15
SHEET NUMBER D-3



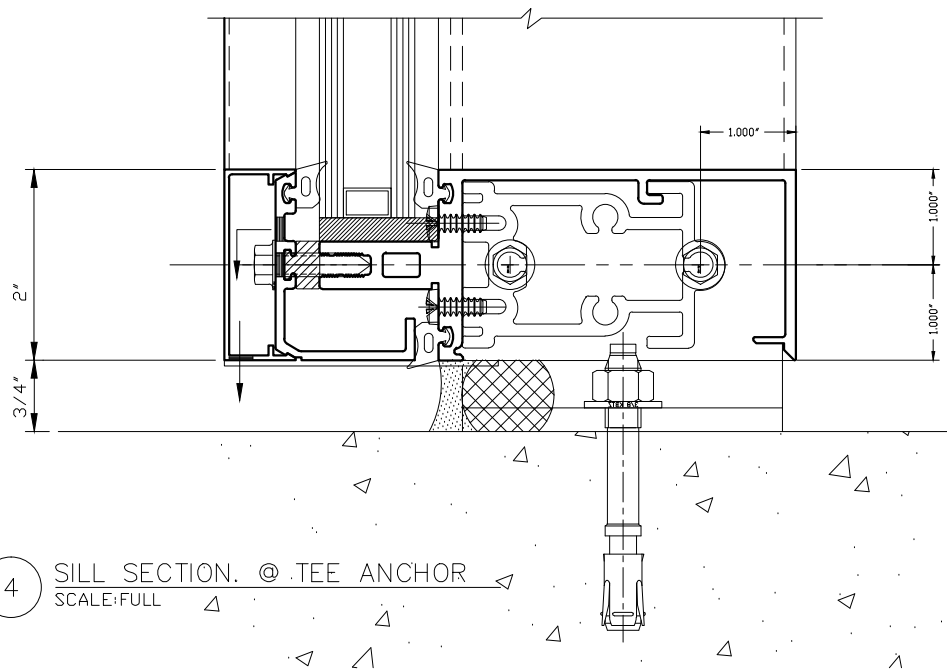
1 PLAN @ TEE ANCHOR
SCALE:FULL



3 HEAD SECTION. @ TEE ANCHOR
SCALE:FULL



2 PARTIAL ELEV. @ TEE ANCHOR
SCALE:FULL



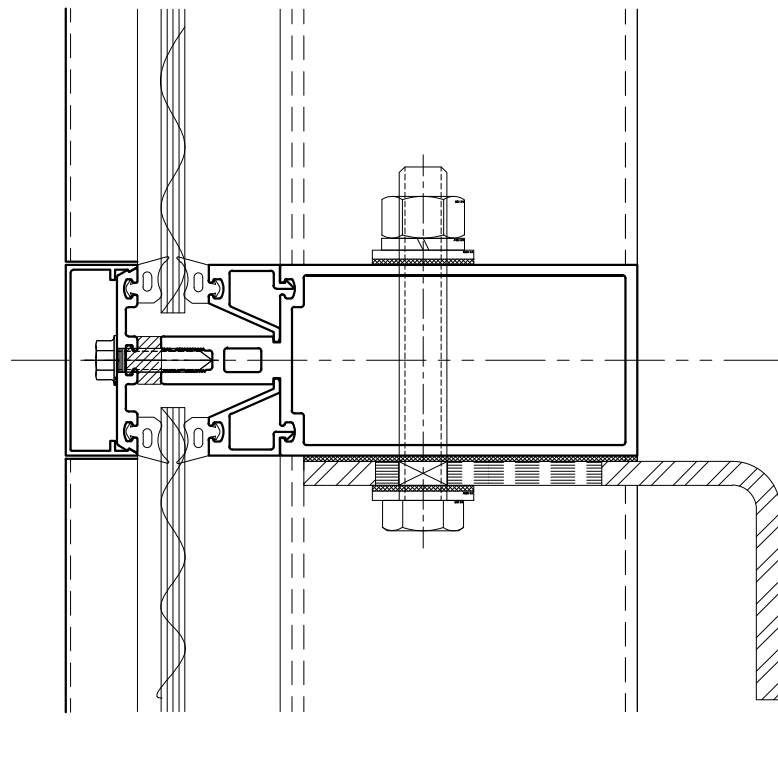
4 SILL SECTION. @ TEE ANCHOR
SCALE:FULL

NO.	DATE	REVISION	INDEX
5			
4			
3			
2			
1			

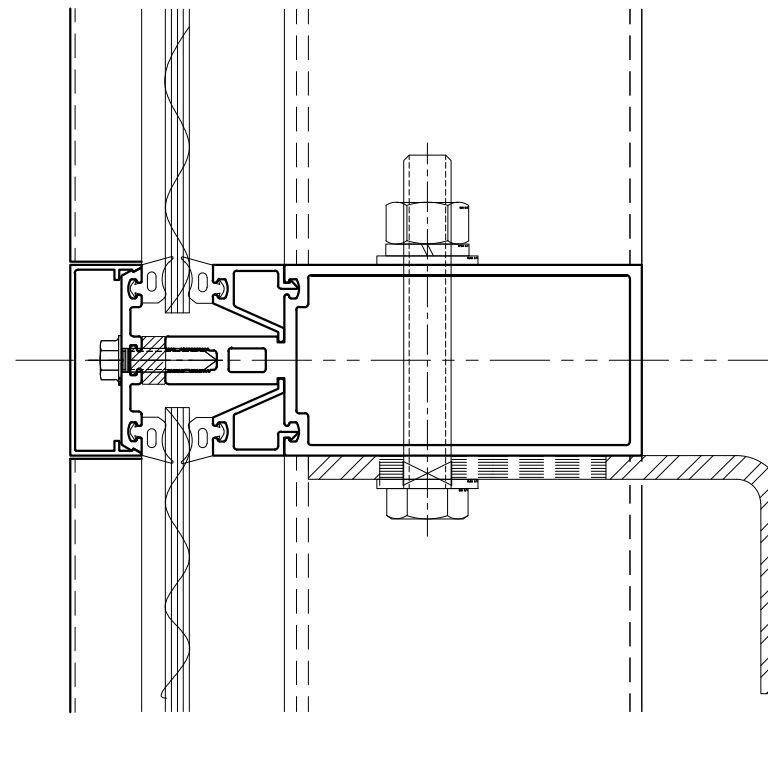


PROJECT: —
ARCHITECT:
CUSTOMER:
FABRICATOR:

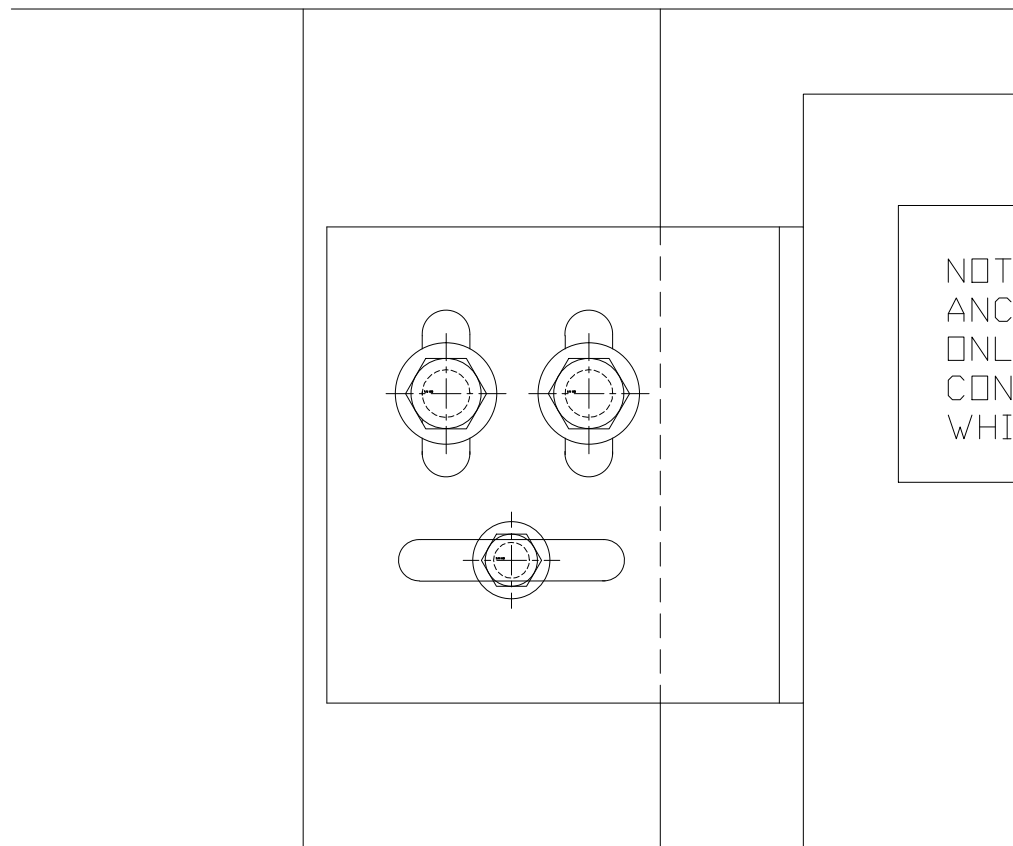
SCALE
FULL
DATE
04-AUG-15
SHEET NUMBER
D-4



1 PLAN @ WIND-LOAD ANCHOR
SCALE:FULL

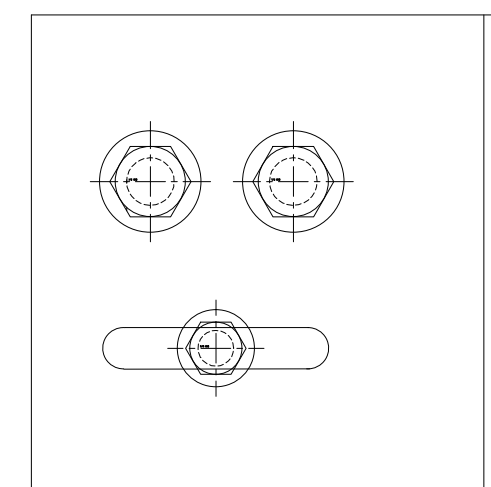


3 PLAN @ DEAD-LOAD ANCHOR
SCALE:FULL



2 SECTION @ WIND-LOAD ANCHOR
SCALE:FULL

NOTE:
ANCHORS ARE SHOWN SCHEMATIC
ONLY. VARIOUS PROJECT SPECIFIC
CONDITIONS MUST BE CONSIDERED
WHILE FINALIZING DETAILS



4 SECTION @ DEAD-LOAD ANCHOR
SCALE:FULL

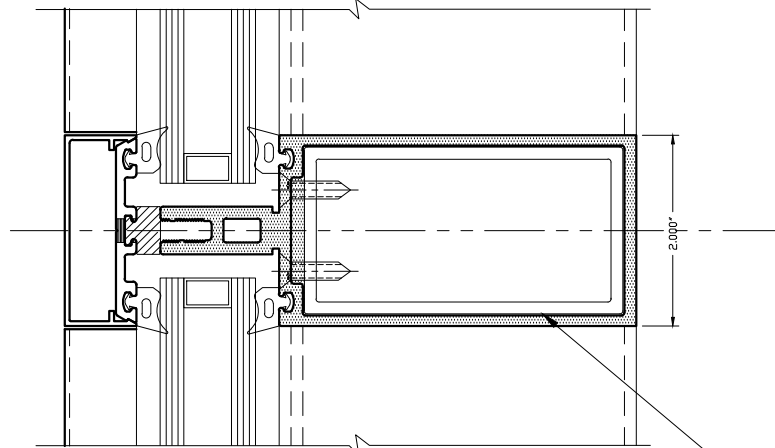
NO.	DATE	REVISION	INDEX
5			
4			
3			
2			
1			



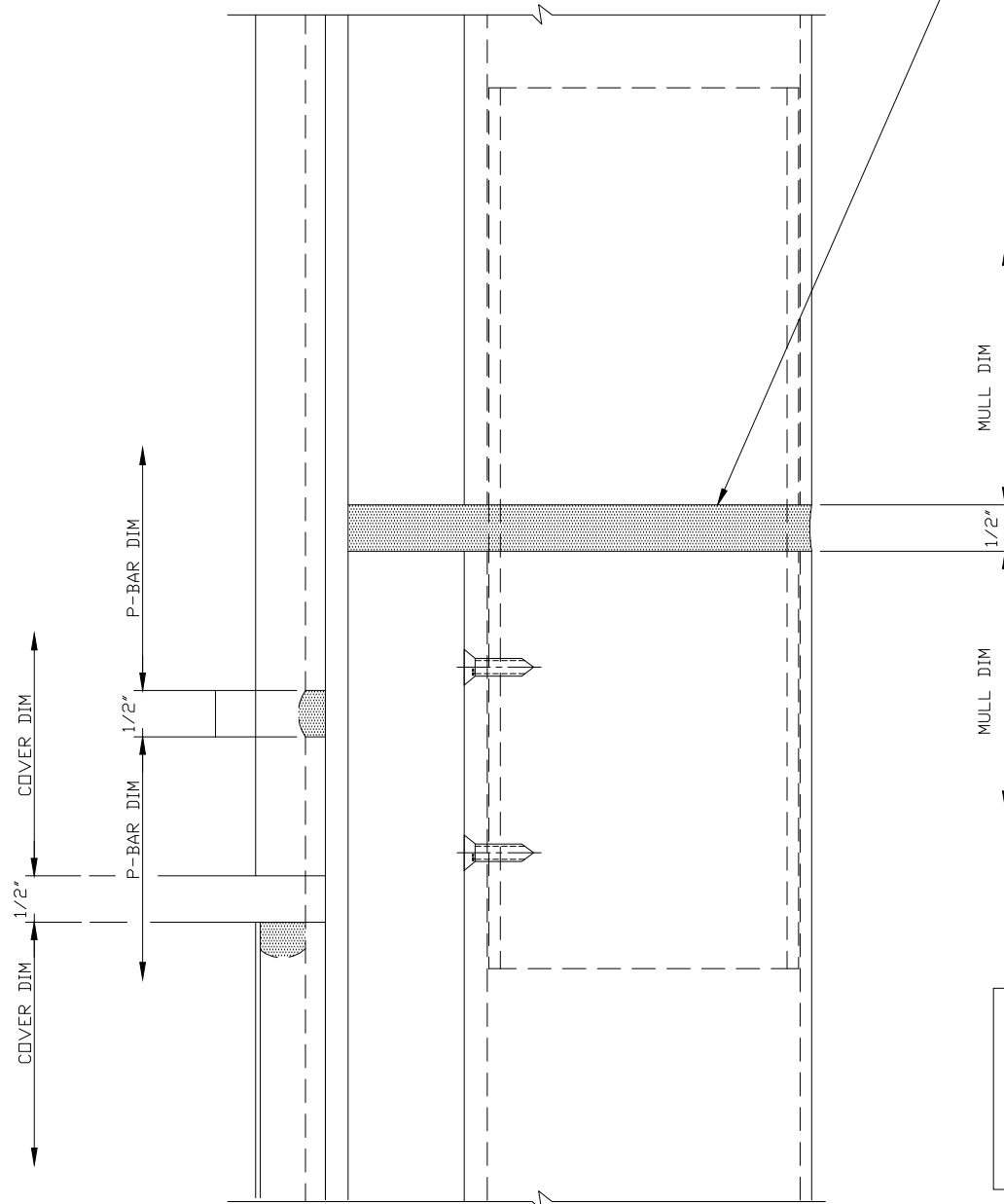
PROJECT: -
ARCHITECT:
CUSTOMER:
FABRICATOR:

SCALE
FULL
DATE
04-AUG-15
SHEET NUMBER
D-5

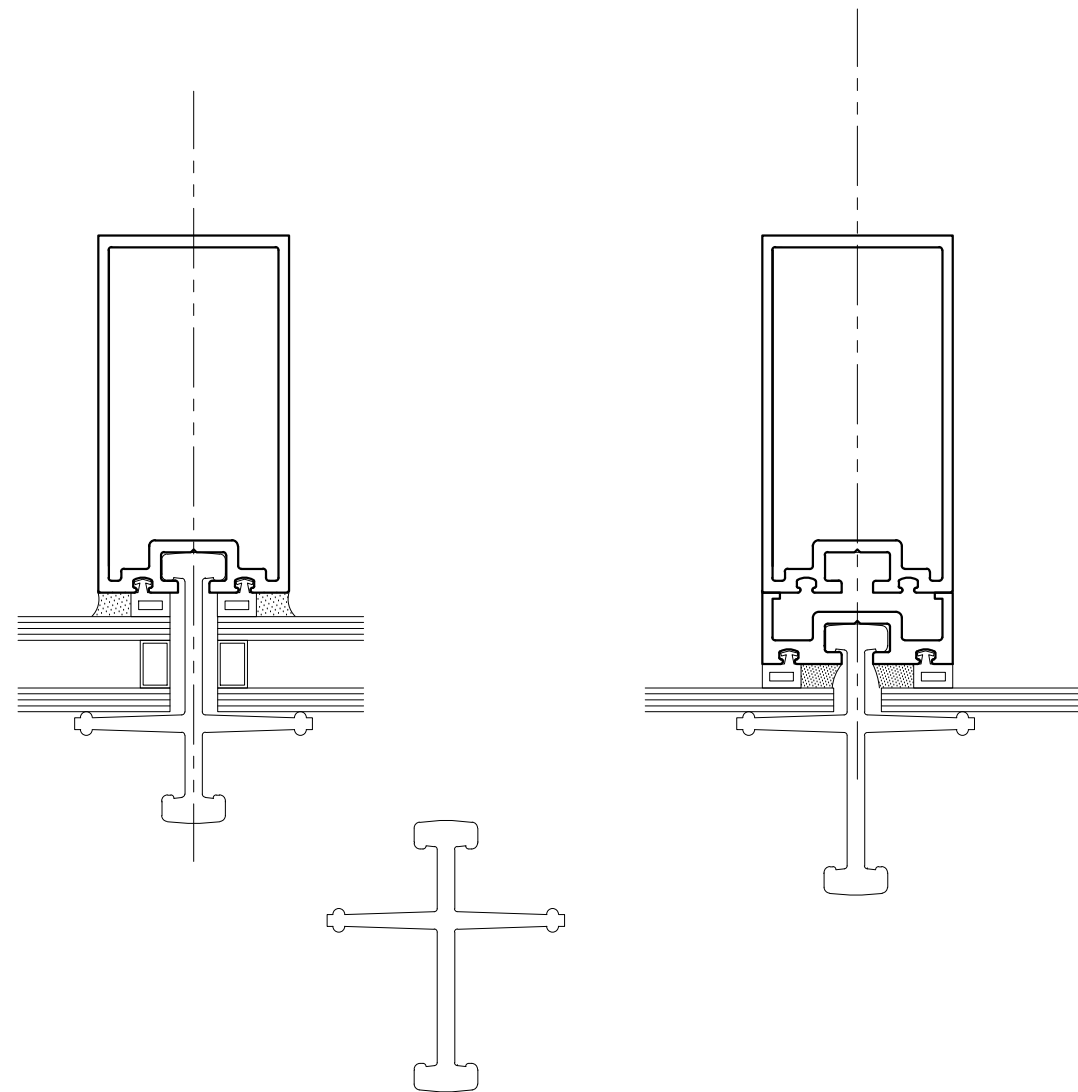
1 PLAN @ MULL SPLICE
SCALE: FULL



APPLY BOND-BREAKER TAPE @ JOINT



2 SECTION @ MULL SPLICE
SCALE: FULL



3 RIGID PVC GLAZING RETAINERS
SCALE: FULL

NOTE:
SIZE & LOC. OF SPLICE DEPENDANT
ON PROJECT SPAN & APPLICATIONS

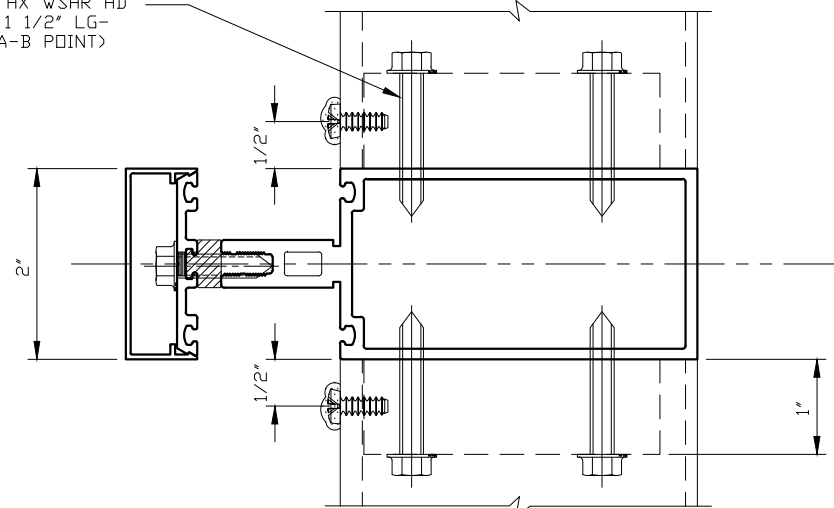
PROJECT: -
ARCHITECT:
CUSTOMER:
FABRICATOR:

SCALE
FULL
DATE
04-AUG-15
SHEET NUMBER
D-6

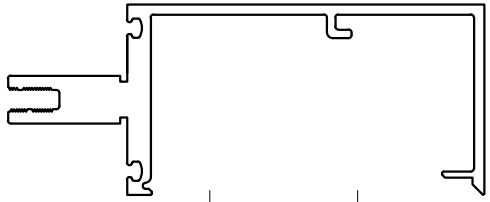


NO.	DATE	REVISION	INDEX
5			
4			
3			
2			
1			

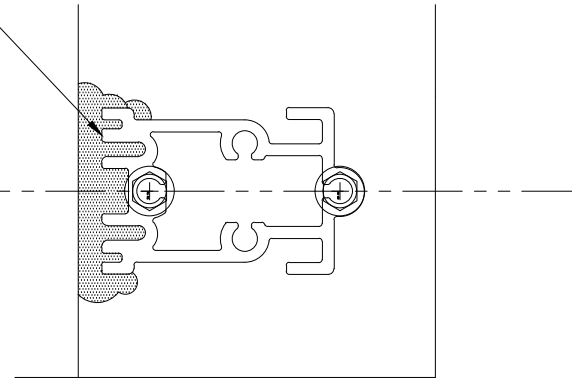
1/4-20 HX WSHR HD
SCW X 1 1/2" LG-
(TYPE A-B POINT)



1 PLAN @ SHEAR BLOCK ATTACHMENT
SCALE: FULL

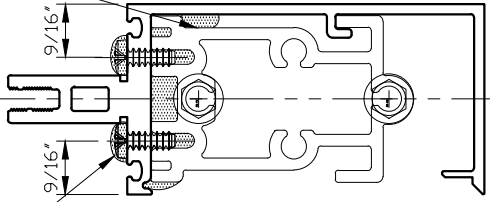


FIELD APPLY SEALANT
TO FACE OF SHEAR BLOCK

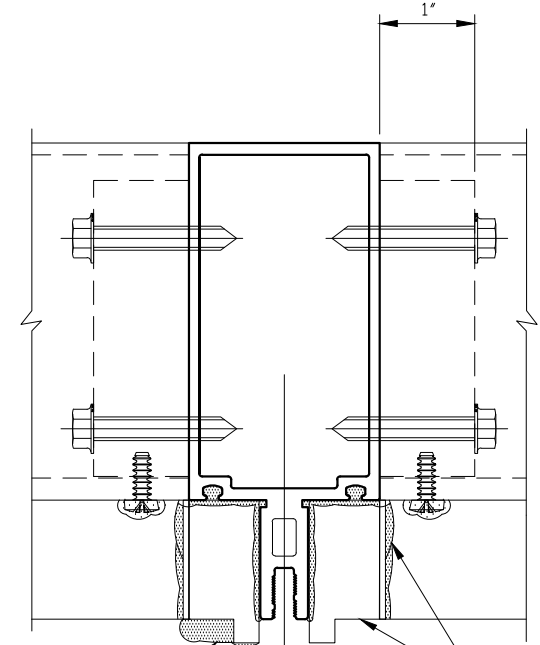
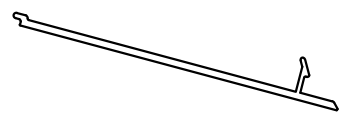


2 SECTION @ SHEAR BLOCK ATTACHMENT
SCALE: FULL

WIPE EXCESS SEALANT
AFTER HORIZONTAL
INSTALLATION

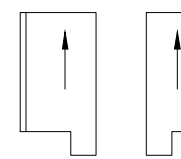


INSTALL SCWS &
SEAL HDS

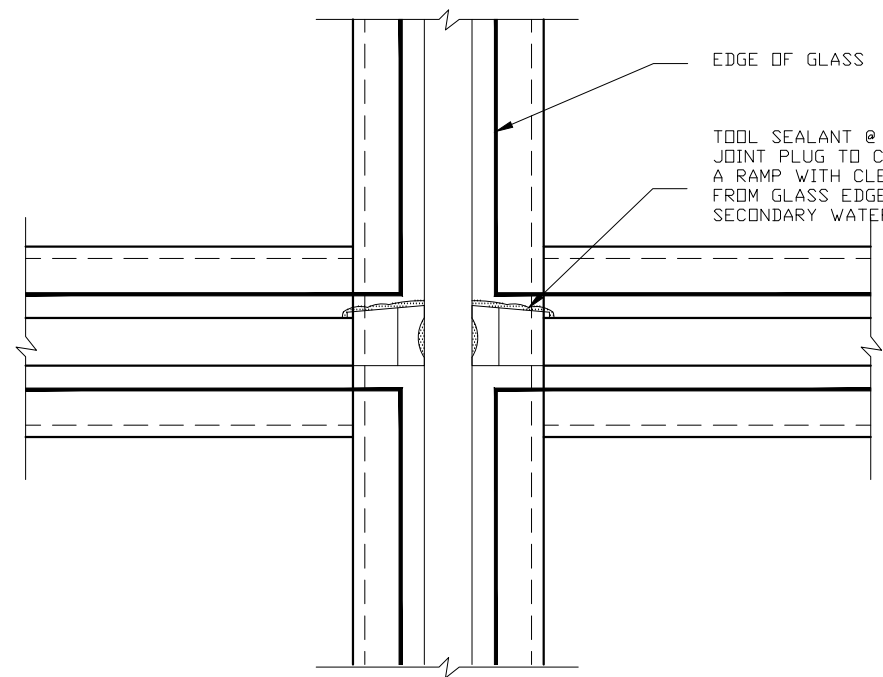


3 PLAN @ JOINT PLUG INSTALLATION
SCALE: FULL

APPLY SEALANT TO
FACE OF JOINT PLUG
JUST PRIOR TO
INSTALLATION OF
VERTICAL P-BAR

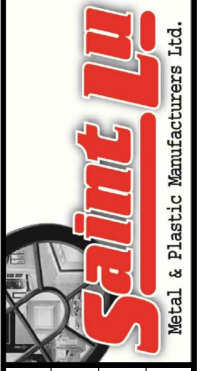


INSTALL JOINT PLUGS &
TOOL SEALANT AROUND EDGES



4 PARTIAL ELEV. @ JOINT PLUG INSTALL.
SCALE: FULL

NO.	DATE	REVISION	INDEX
5			
4			
3			
2			
1			



PROJECT: -
ARCHITECT:
CUSTOMER:
FABRICATOR:

SCALE
FULL
DATE
04-AUG-15
SHEET NUMBER
D-7